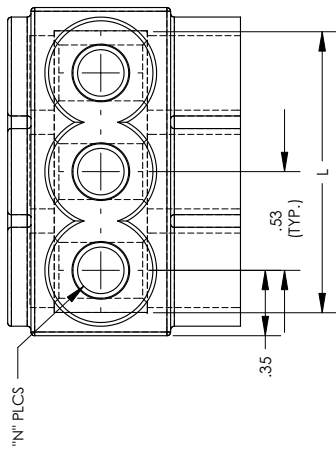
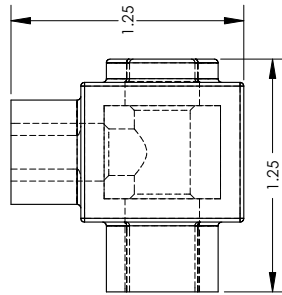
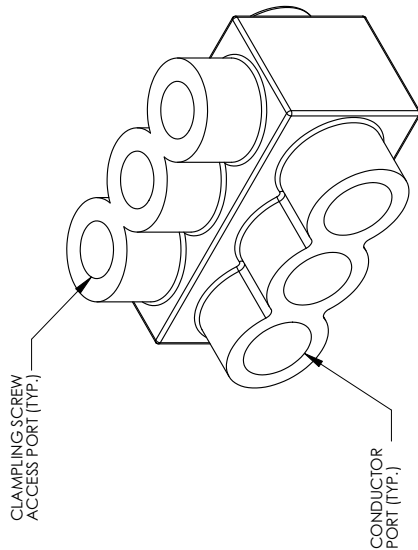
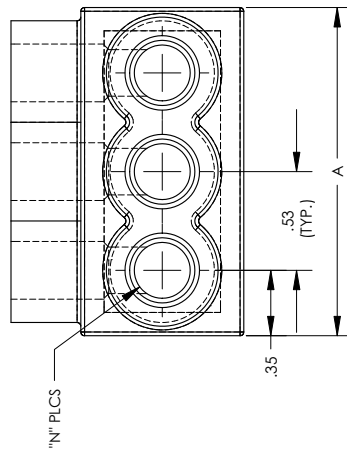


THIS COPY IS PROVIDED ON A RESTRICTED BASIS AND IS NOT TO BE USED IN ANY WAY DETRIMENTAL TO THE INTERESTS OF PANDUIT CORP.



THREE PORT CONNECTOR BLOCK SHOWN WITH PLASTIC CLOSURE PLUGS REMOVED. SEE TABLE FOR DIMENSIONS OF PARTS WITH ADDITIONAL PORTS



PANDUIT FINISHED GOODS P/N	CONDUCTOR RANGE	HEX KEY	SCREW QTY.	GAP (SCREW PORT) QTY.	GAP (WIRE PORT) QTY.	A	L	N	TIGHTENING TORQUE
PCSB2/0-2S-6	# 2/0 - #14 STR # 10 - #14 SOL	3/16	2	2	2	1.52	1265	2	
PCSB2/0-3S-6Y		3/16	3	3	3	2.19	1937	3	
PCSB2/0-4S-6Y		3/16	4	4	4	2.86	2609	4	
PCSB2/0-5S-4Y		3/16	5	5	5	3.53	3281	5	120 in/lb
PCSB2/0-6S-4Y		3/16	6	6	6	4.20	3953	6	
PCSB2/0-8S-3Y		3/16	8	8	8	5.55	5287	8	
PCSB2/0-10S-2Y		3/16	10	10	10	6.89	6641	10	
PCSB2/0-12S-1Y		3/16	12	12	12	8.24	7985	12	
PCSB2/0-14S-1Y		3/16	14	14	14	9.58	9329	14	

NOTES:

- UL486A-U486B LISTED, DUAL RATED CUBAL FOR ALUMINUM OR COPPER CONDUCTORS. MEETS OR EXCEEDS ANSI C119.4
- SEE TABLE FOR WIRE RANGE.
- STRIP LENGTH: .56 + .06/-0
- FOR TIGHTENING TORQUE SEE TABLE
- VOLTAGE RATING: 600 V. MAX. BUILDING WIRE, 1000 V. MAX. IN SIGNS & FIXTURES.
- TEMPERATURE RATING: 90 °C (CU9AL).
- CONNECTOR BLOCK BODY ARE MADE FROM ALUMINUM. CONDUCTOR PORTS IN CONNECTOR BLOCK ARE PREFILLED WITH AN OXIDE-INHIBITING COMPOUND.
- CONNECTOR TO INCLUDE TIN PLATED ALUMINUM CLAMPING SCREWS FOR EACH CONDUCTOR PORT.
- INSULATION MATERIAL IS CLEAR PVC.
- CLAMPING SCREW ACCESS PORTS AND ALL WIRE ENTRY PORTS ARE PROVIDED WITH REMOVABLE PLASTIC CLOSURE PLUGS.
- ALL DIMENSIONS SHOWN ARE NOMINAL.
- ONLY ONE CONDUCTOR PER PORT ALLOWED.

- PACKAGE QTY: -12 = 12 PCS.  
-6 = 6 PCS.  
-4 = 4 PCS.  
-3 = 3 PCS.  
-2 = 2 PCS.

14 THIS PART IS RoHS COMPLIANT



LISTED

REV	DATE	BY	CHK	DESCRIPTION	ECN	CUST	QA	APP	CHK'D	RLS	DATE	DRAWN BY	MATL.	UNLESS OTHERWISE SPECIFIED, DIMENSIONAL TOLERANCES ARE:	SCALE	DRAWING NO / CAD FILE	DWG	SIZE
03	11/09	JHNU	JHNU	ADDED HEX KEY SIZE TO TABLE							08/99	JHNU	SEE NOTE 1 ABOVE	(X) ± (XX) ± (XXX) ± ANGLES ±	1.5:1	C41523_03	B	

**PANDUIT CORP. TINLEY PARK, ILLINOIS**  
**MULTI-TAP INSULATED CONNECTORS**  
**PCSB2/0 SERIES SINGLE SIDED**